

# CH200FR

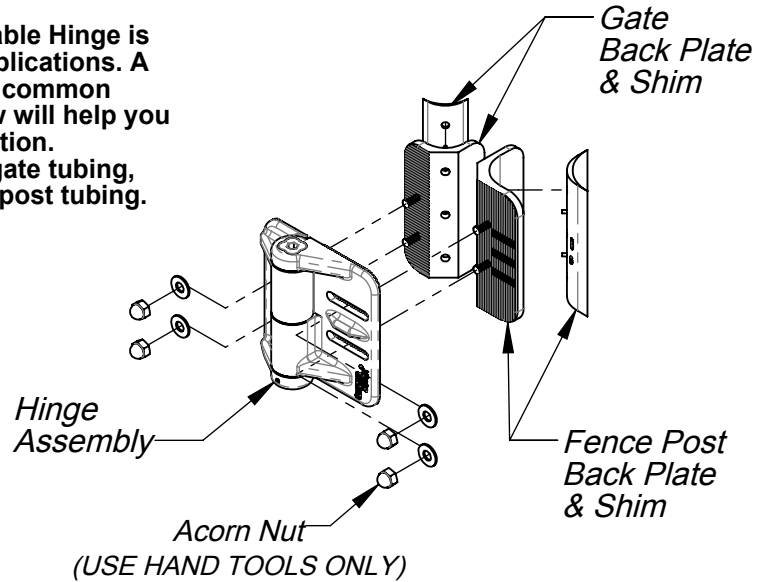
## ROUND POST SELF-CLOSING ADJUSTABLE HINGE

### INSTALLATION, ADJUSTMENT AND MAINTENANCE INSTRUCTIONS

**PLEASE CAREFULLY READ ALL OF THE INSTRUCTIONS PRIOR TO INSTALLATION**

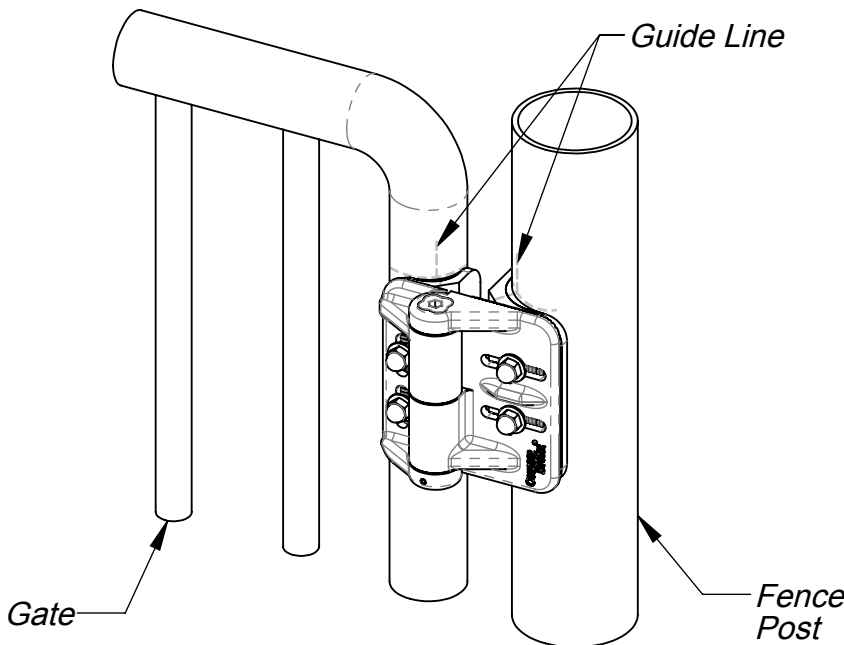
The CH200FR Round Post Self-Closing Adjustable Hinge is designed to fit both right-hand and left-hand applications. A set of shims have been provided to fit the most common used fence post and gate sizes. The chart below will help you to choose the appropriate shim for your application. However, Gate Back Plate alone will fit  $\phi$  1-3/8 gate tubing, and Fence Post Back Plate alone will fit  $\phi$  1-7/8 post tubing.

Shim Size Chart	
Gate sizes	Post Fence Sizes
$\phi$ 1-5/8	$\phi$ 2-3/8
	$\phi$ 2-5/8
	$\phi$ 2-7/8

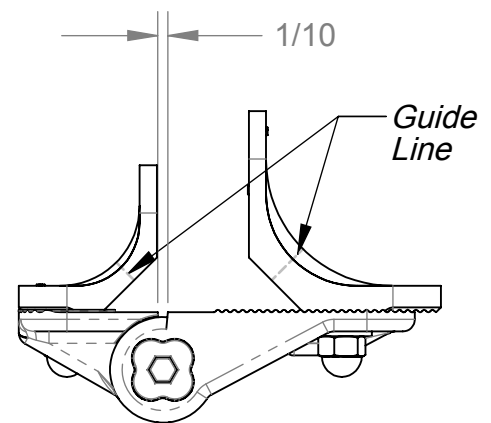


### STEP-1

Before installing hinge assembly, make sure fence post is vertical and firmly anchored and gate is properly blocked with desired gap to fence post in closed position. Attach both back plates to hinge, with appropriate shims if applicable, with hardware provided and desired gap. Make sure spring tension is in neutral position (see sht. 2). Mark the center of both back plates and shims, if applicable, as guide lines for positioning, as shown in fig. 2. Locate hinge assembly at desired height embracing both fence post and gate to full contact with back plates and shims at once, then using the guide line marks of hinge, mark the gate and post fence horizontally and vertically as shown in fig. 1. Make sure hinge assembly is not closed to its maximum position, a 1/10" gap between hinge leaves must be noticed with spring tension in neutral position, as shown in fig. 2



**Fig. 1**



**Fig. 2**

SHEET 1 OF 2

Liability Limitation & Warranty: This product is inspected prior to shipment and is warranted to the original purchaser to be free from defects in material and workmanship. No warranty applies if the product has been tampered with or damaged by the purchaser, and in no case shall the manufacturer or supplier be liable for damages which are incidental or consequential.

Disclaimer: The manufacturer and supplier of this device cannot and will not accept responsibility for unauthorized modifications to or for defective maintenance of this device. No modification to this device whatsoever is to be made other than with respect to the adjustments outlined in this installation instruction. If this device fails to function properly, it should be returned promptly to the supplier for replacement.

# CH200FR

## ROUND POST SELF-CLOSING ADJUSTABLE HINGE

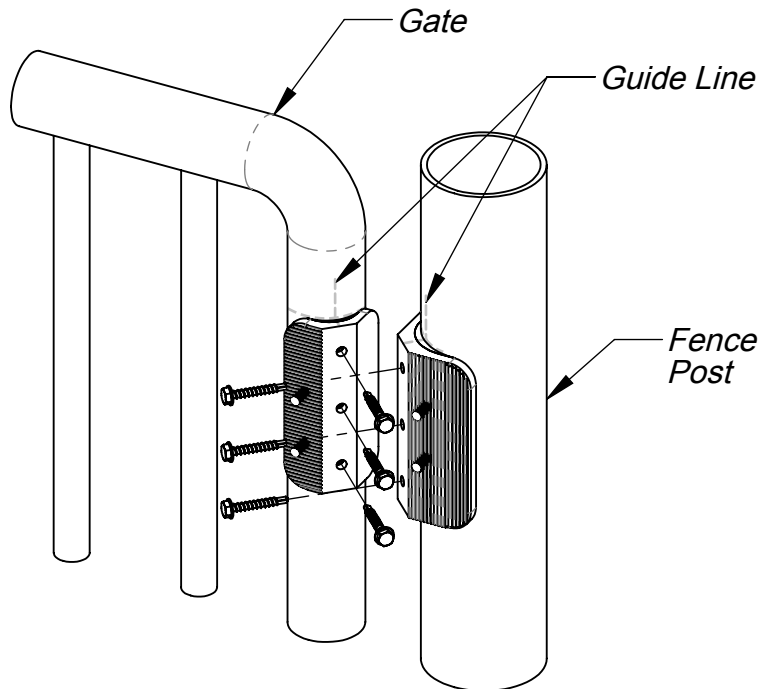
### INSTALLATION, ADJUSTMENT AND MAINTENANCE INSTRUCTIONS

#### STEP-2

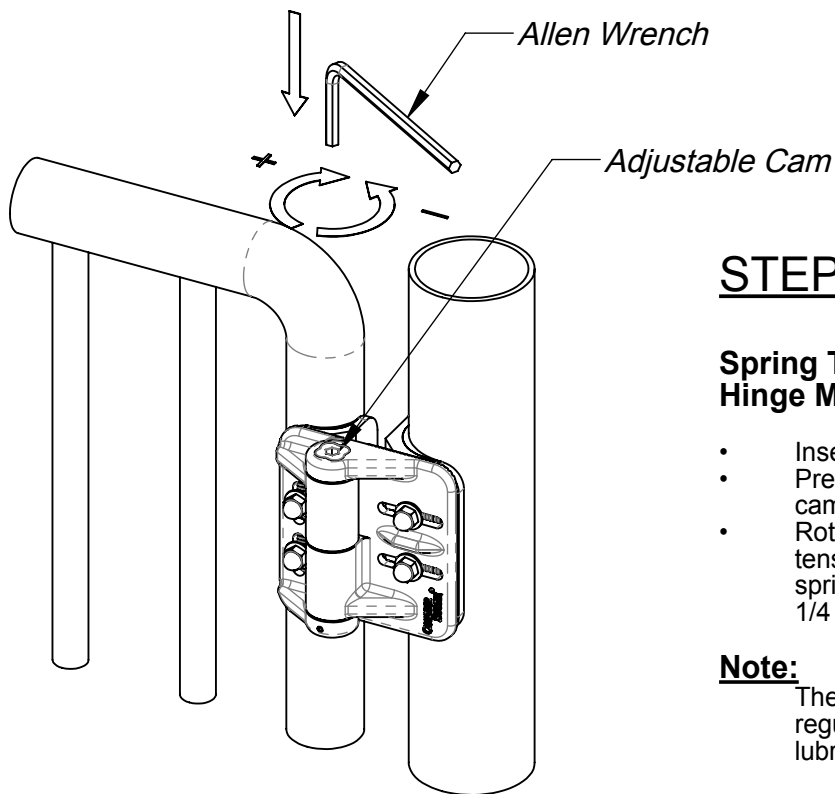
With guide lines marked in gate, fence post and back plates, proceed to detach both back plates from hinge. Using each back plate as a template, reposition it at the marked locations, mark and drill all center points of back plates, as seen on fig. 3. For easy installation we suggest to drill pilot holes; however, #10 flanged hex head self-drilling screws have been provided to fasten back plates to gate and fence post if you choose not to drill pilot holes.

#### STEP-3

With back plates fastened in place, reinstall hinge assembly to both back plates with supplied hardware, do not over torque Acorn nuts (USE HAND TOOLS ONLY). The CornerStone® Round Post Self-Closing Adjustable Hinge is designed to be horizontal (1-1/4") and vertical (3/4") adjustable. Align locking grooves of back plates with hinge assembly to achieve desired adjustment. Open and close gate to ensure proper installation and operation.



**Fig. 3**



**Fig. 4**

#### STEP-4

##### **Spring Tension Adjustment and Hinge Maintenance.**

- Insert allen wrench into the adjustable cam.
- Press the wrench downward, pushing the cam into the barrel.
- Rotate the cam clockwise to increase spring tension and counter-clockwise to reduce spring tension. Adjust one hinge at a time in 1/4 turn increments.

##### **Note:**

The hinge should be inspected annually and regularly lubricated by spraying an oil based lubricant into the barrel.