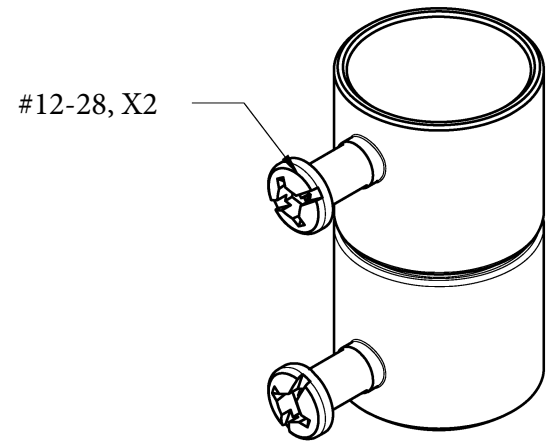
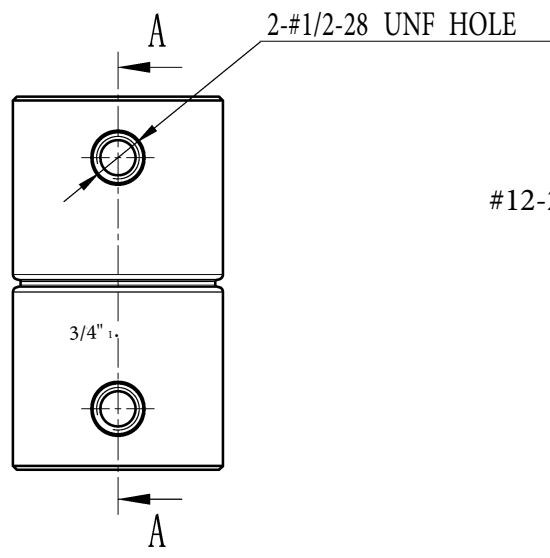
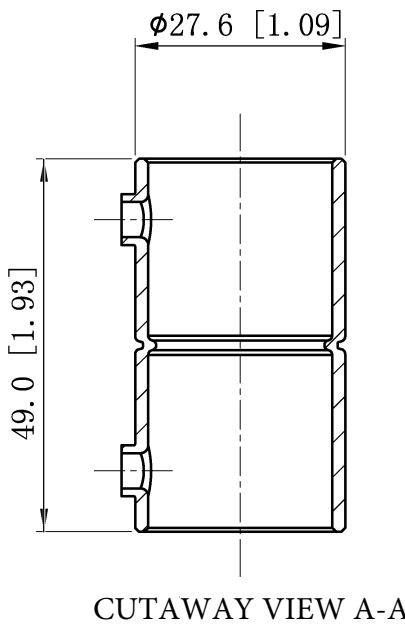


SIDES	BOTTOM
2 PCS 1112-28X3/8 Screws Installed Material:Steel-Welding tube, zinc plated	



DESCRIPTION
TRADE REFERENCE TERMS

		JGC-34	
		TITLE STEEL EMT SET SCREW COUPLINGS	
SIZE	DWGNO.		REV