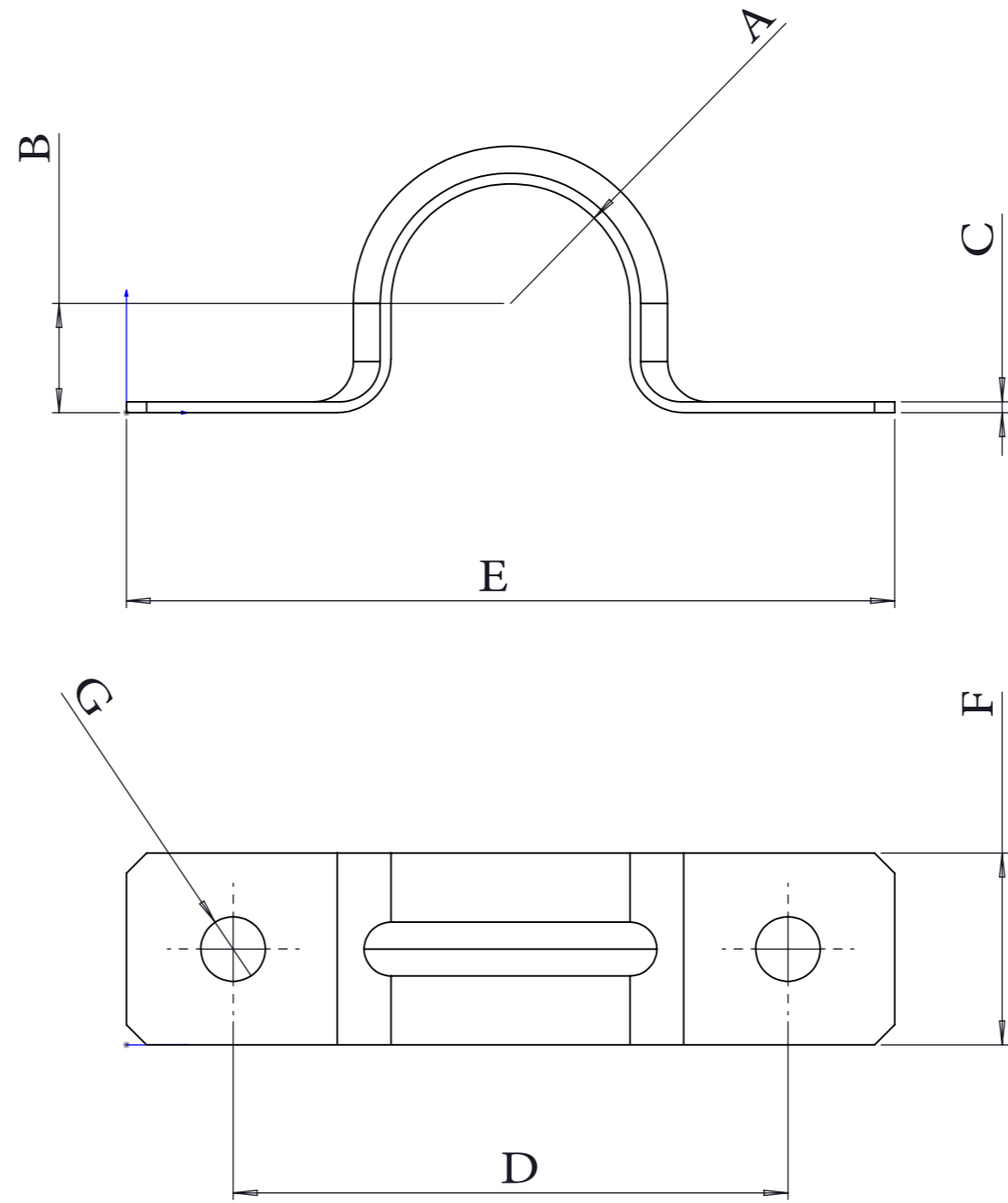


SIDES	BOTTOM
Material:Steel-(C1008-C1018)Galvanized	

PART NO	SIZE	A	B	C	D	E	F	G	STD. PKG.
JGPS-138	1"	0.655	0.620	0.043	2.625	3.375	0.750	0.250	50



DESCRIPTION	JGPS-138	
	TITLE Rigid Two Hole Conduit Strap	
	SIZE	REV