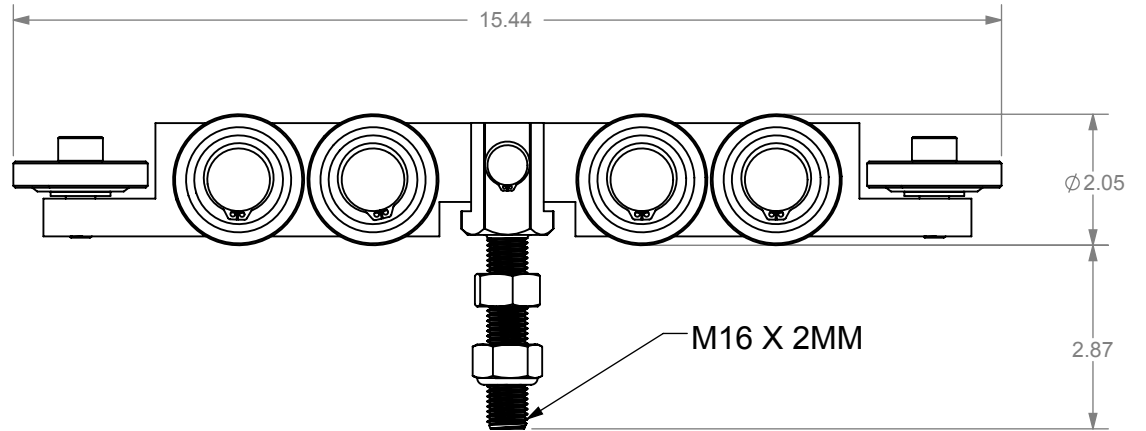
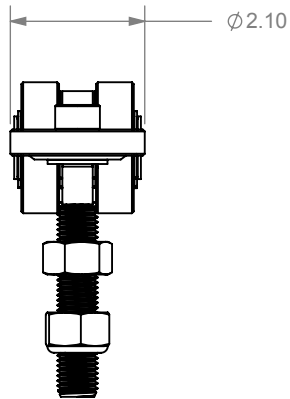
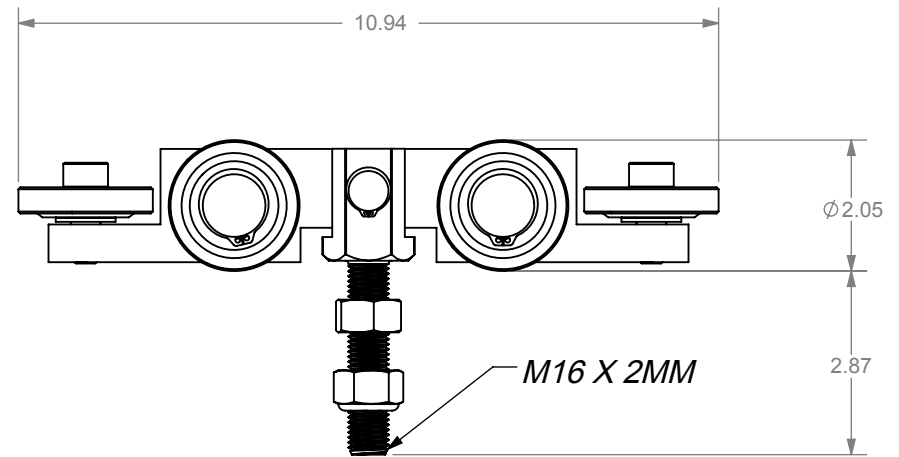
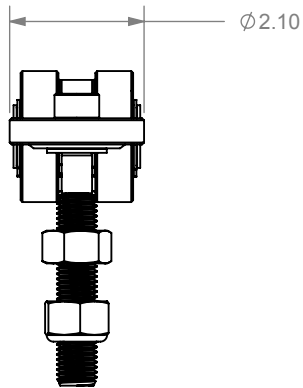


N-TRUCK-8W  
 MATERIAL: STEEL  
 FINISH: ZINC PLATED

ECR/DCR		REV.	REVISIONS	DESCRIPTION	DATE	APPD
-	-	-	INITIAL RELEASE		-	-



N-TRUCK-4W  
 MATERIAL: STEEL  
 FINISH: ZINC PLATED



DIMENSIONS ARE IN INCHES

**Truck Assembly For  
 Cantilever Gates**

**N-TRUCK-4W  
 AND  
 N-TRUCK-8W**

SIZE	DWG. NO.	REV.
A		-
SCALE: 1:3	WEIGHT:	SHEET 1 OF 1